



MUTO

General information

MUTO

The systems are based on a thoroughly modular construction principle, enabling them to be adapted to different requirements.

Weight classes

- 60 kg NEW
- 80 kg
- 150 kg

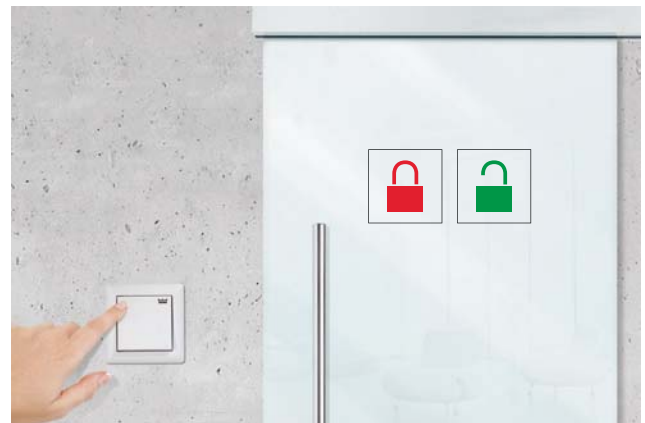
Activity rate, longevity

- $\geq 50,000$ cycles at 60 kg variant NEW
- $\geq 100,000$ cycles at 80 kg variant
- $\geq 200,000$ cycles at 80/150 kg variant
- Self-Closing, max. 120 kg
- Telescopic, max. 2 x 80 kg

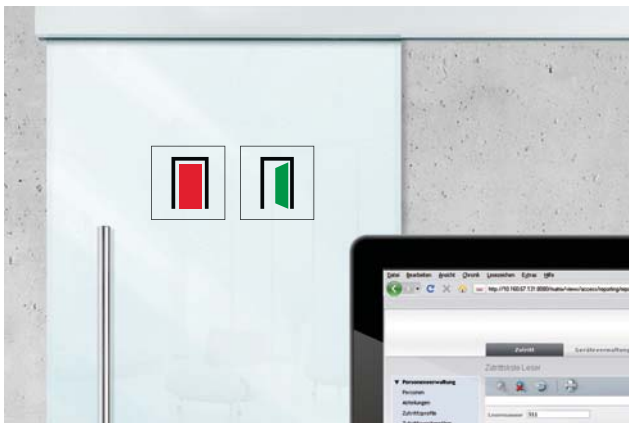
DORMOTION – the elegant damping mechanism



Integrated electromechanical lock – discretion assured



Status indicator – everything under control

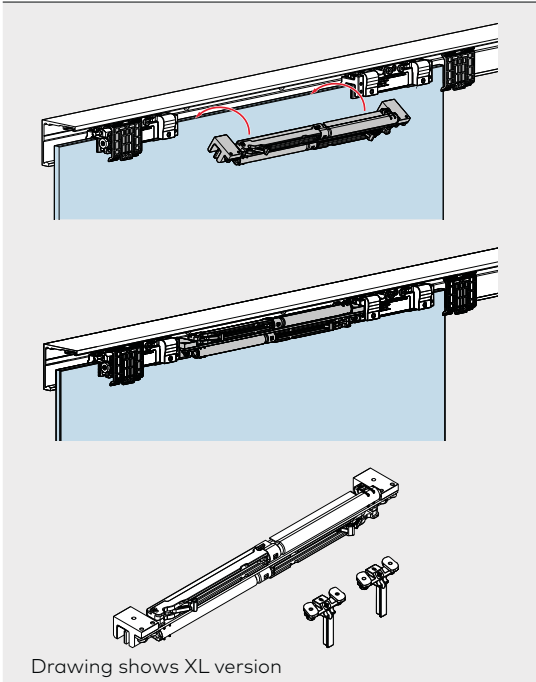


Self-Closing – hassle-free



Retrofittable and safe

Product description

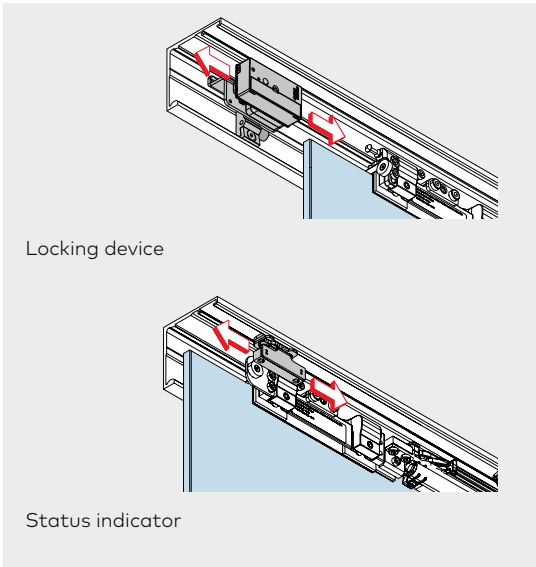


DORMOTION

(damping mechanism)

- Retrofittable in existing systems (without the need for disassembly)
- Applies to the following "Comfort" systems:
 - MUTO Comfort M NEW
 - MUTO Comfort L
 - MUTO Premium XL
 - MUTO Premium XL Telescopic

When using a DORMOTION damping unit, we recommend installation of a pull handle.



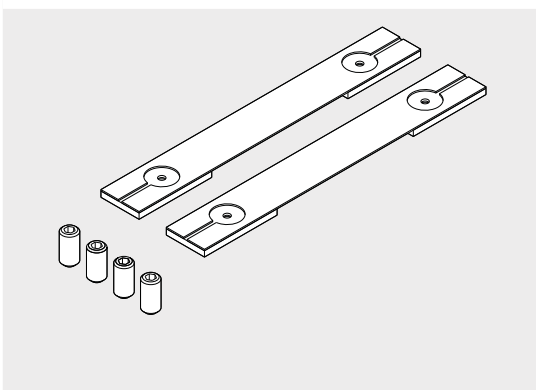
Integrated lock and status indicator

Integrated lock (only in conjunction with the DORMOTION damping mechanism)

- Retrofittable (ensure compliance with profile dimensions)
- Battery-operated
- Not suitable as a security barrier
- Not suitable for outdoor facilities
- Applies to the following "Comfort" systems:
 - MUTO Comfort L
 - MUTO Premium XL
 - MUTO Premium XL Telescopic
 - MUTO Premium Self-Closing

Status indicator (only in conjunction with the DORMOTION damping mechanism)

- Cable entry required
- Not suitable for outdoor facilities
- Applies to the following "Comfort" systems:
 - MUTO Comfort L
 - MUTO Premium XL
 - MUTO Premium XL Telescopic
 - MUTO Premium Self-Closing

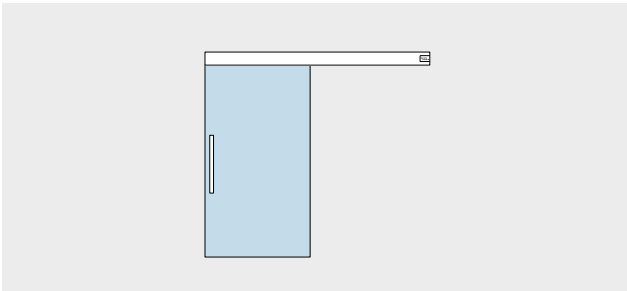


Secure hold for laminated safety glass without any mechanical glass preparation thanks to Clamp&Glue technology

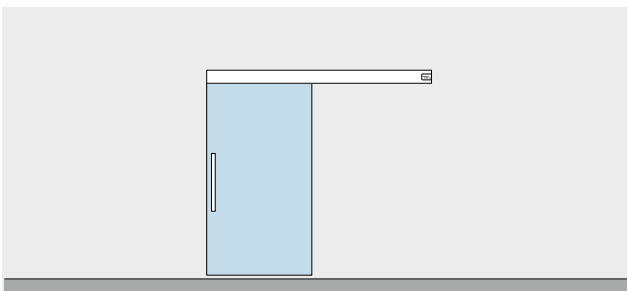
- Easy retrofitting of the carriers with LSG accessory set
- No unwanted LSG phenomena:
 - No bubble formation
 - No laminate slippage
 - No glass fracture as a result of excessive clamping forces
 - No negative influence of temperature change (foil disappears)
- Applies to the following "Comfort" systems:
 - MUTO Comfort M NEW
 - MUTO Comfort L
 - MUTO Premium XL
 - MUTO Premium XL Telescopic
 - MUTO Premium Self-Closing

Installations

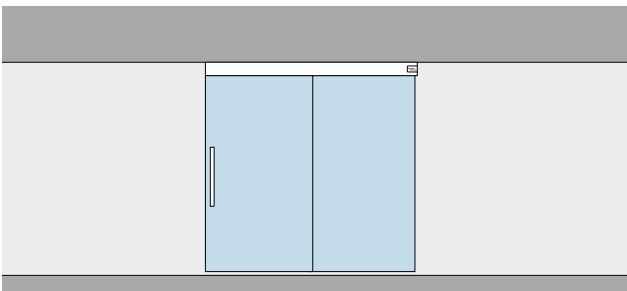
With one sliding panel



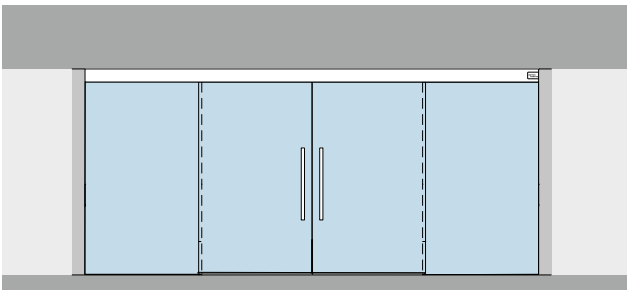
Fixed at wall



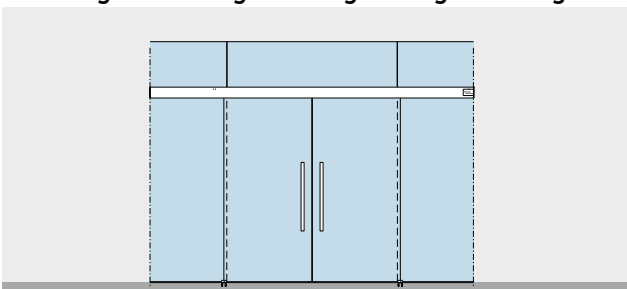
Fixed at transom with sidelight



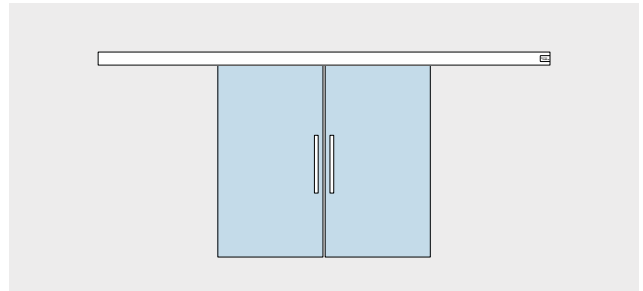
Fixed at ceiling with sidelights



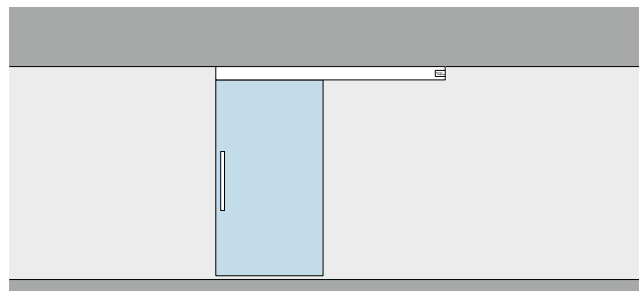
Fixed at glass – with glass fanlight and glass sidelights



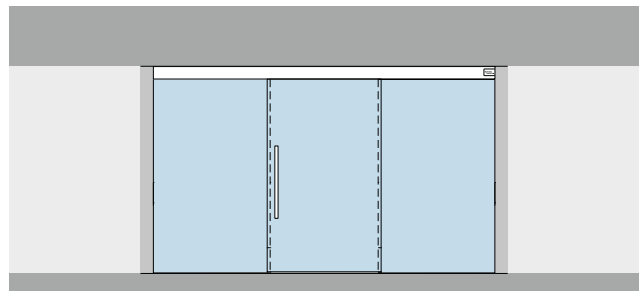
With two sliding panels



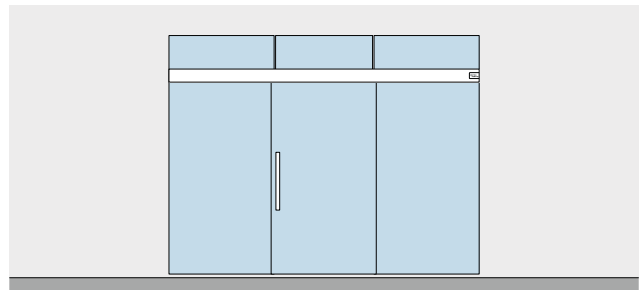
Fixed at ceiling



Fixed at transom with sidelight

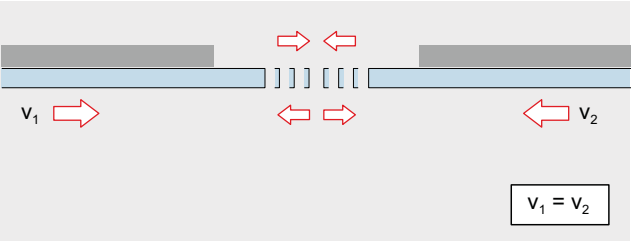
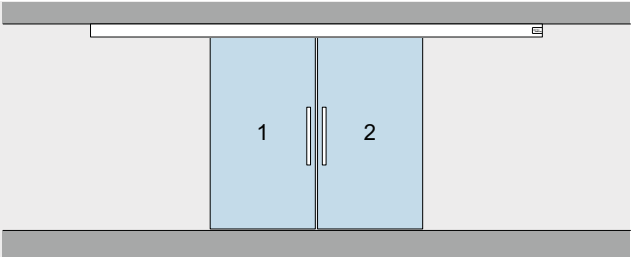


Fixed at glass – with glass fanlight and glass sidelights

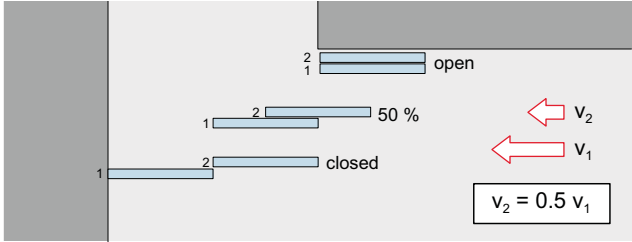
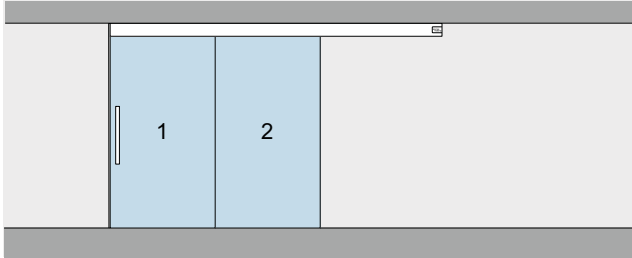


Functionalities

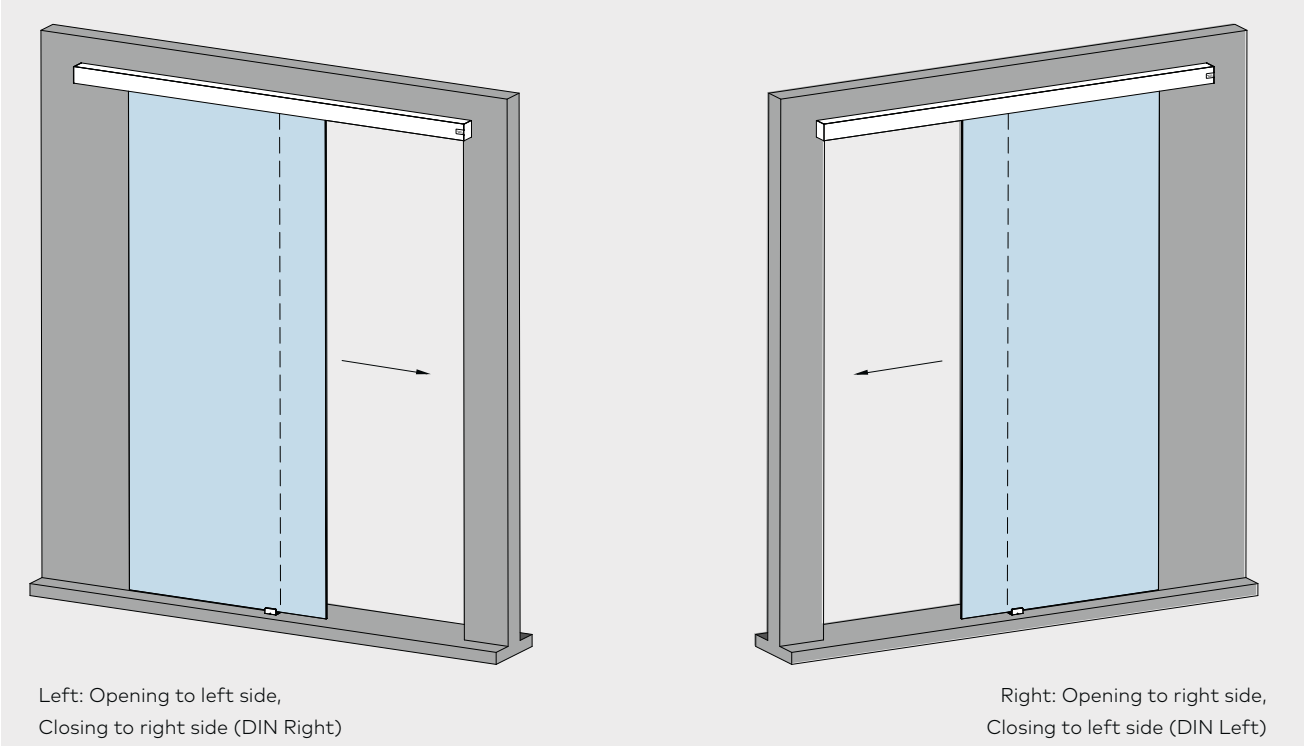
Synchro



Telescopic



Self-Closing/Telescopic



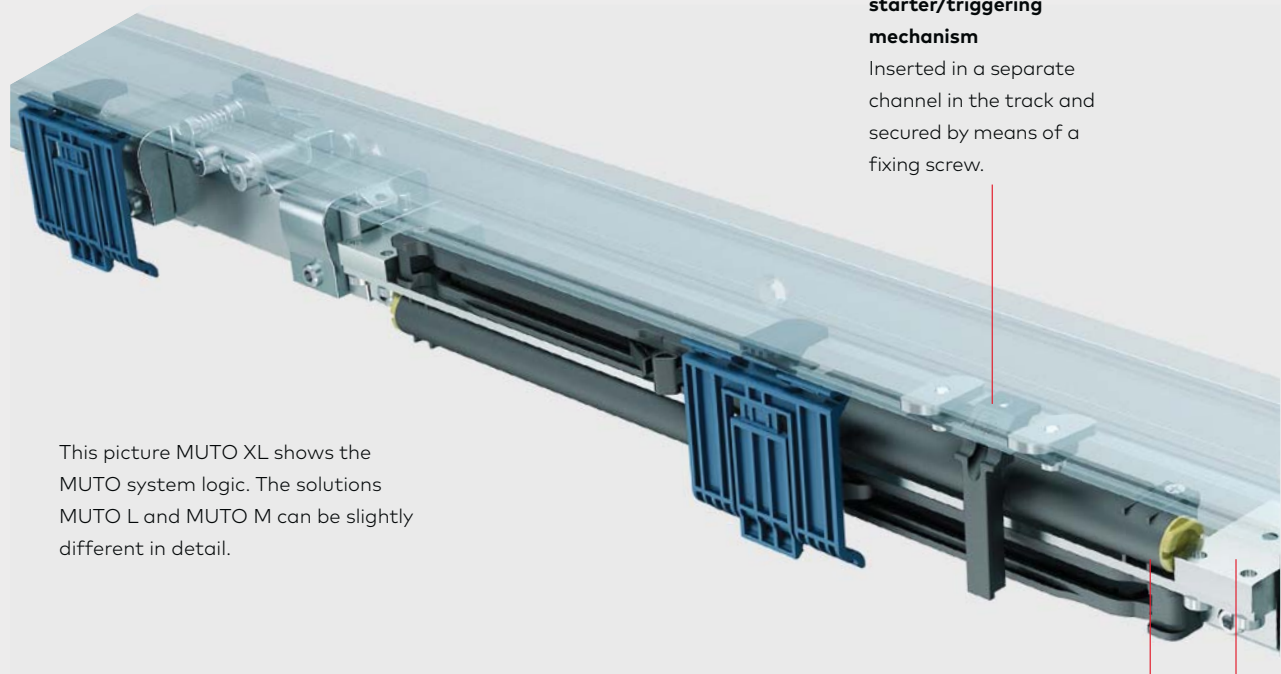
Left: Opening to left side, Closing to right side (DIN Right)

Right: Opening to right side, Closing to left side (DIN Left)

v = Speed

The manual sliding door system offering fast, effortless installation

MUTO – easy installation and adjustability from the front.



**DORMOTION
starter/trigging
mechanism**

Inserted in a separate channel in the track and secured by means of a fixing screw.

This picture MUTO XL shows the MUTO system logic. The solutions MUTO L and MUTO M can be slightly different in detail.

LSG certified.

Transparent safety.

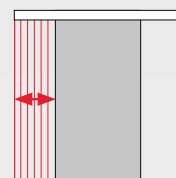
Laminated safety glass can be installed as part of the MUTO system.

The certification confirms its high-grade quality.



DORMOTION

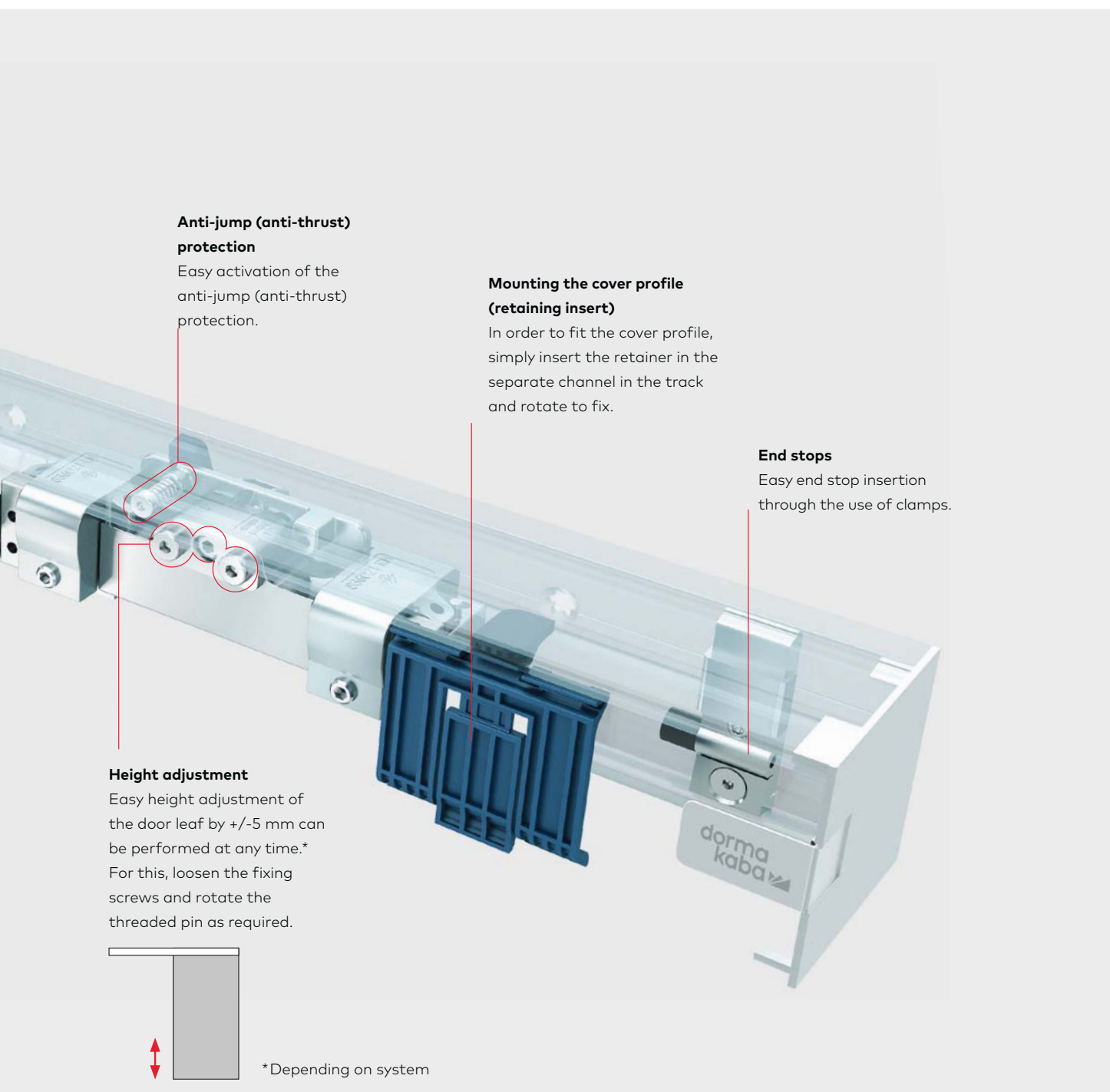
The damping unit is simply mounted onto the door leaf and clamped into position. The damping unit is retro-fittable and can also be installed on existing panels in situ. When using a DORMOTION damping unit, we recommend installation of a pull handle.



MUTO – Installation M, L, XL, SC, Telescopic

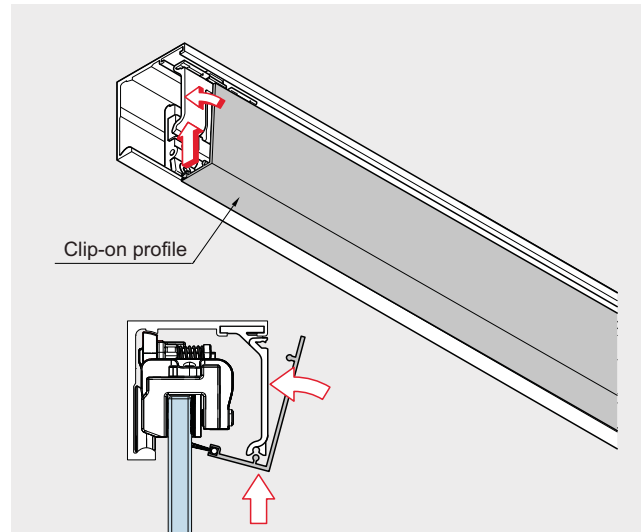
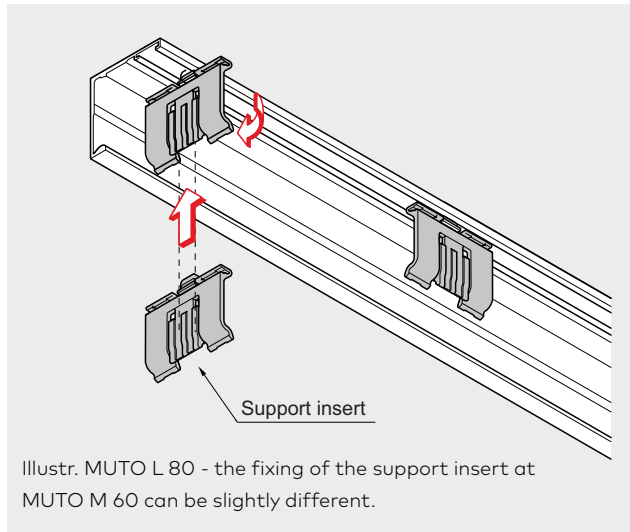
Benefits at a glance

- All adjustments can be quickly and easily performed from the front
- Certified use of laminated safety glass
- Suitable for glass and timber panels

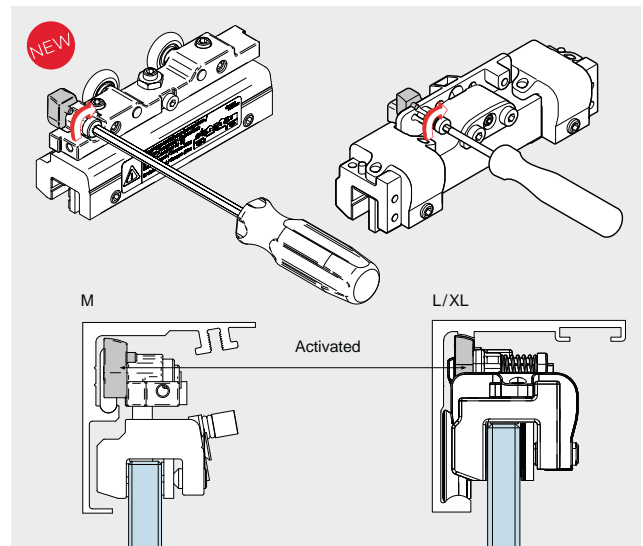
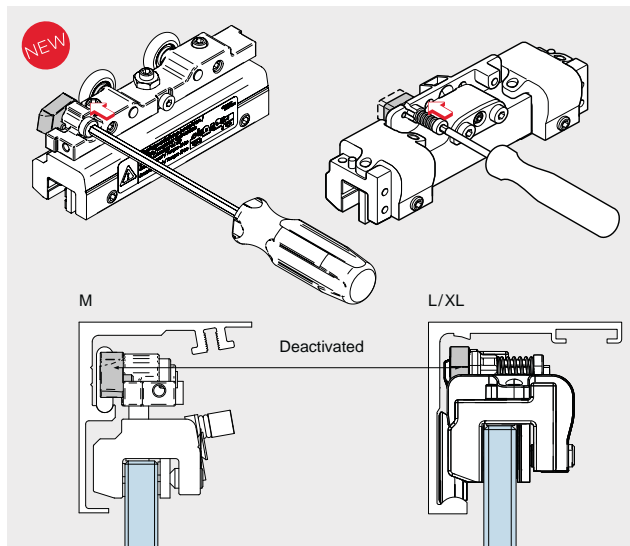


Advantages at installation

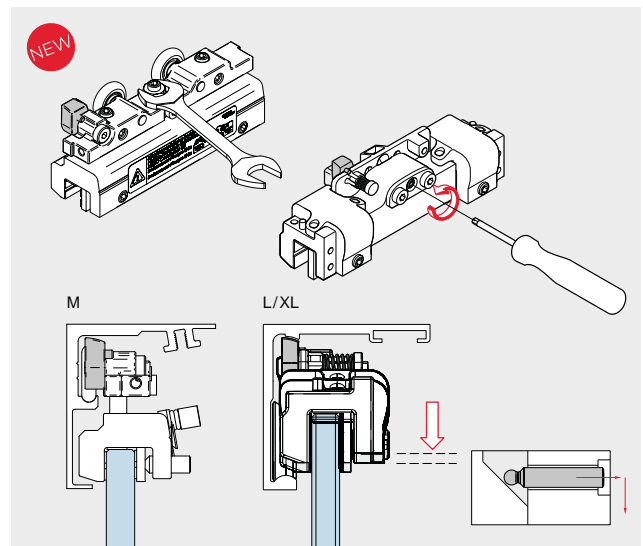
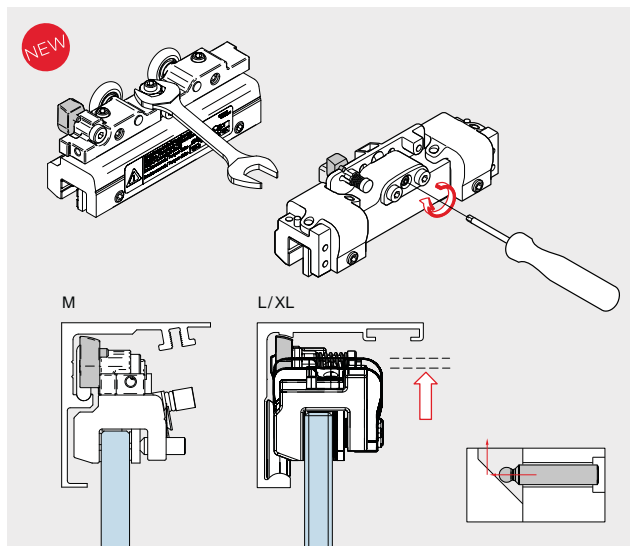
Cover profile



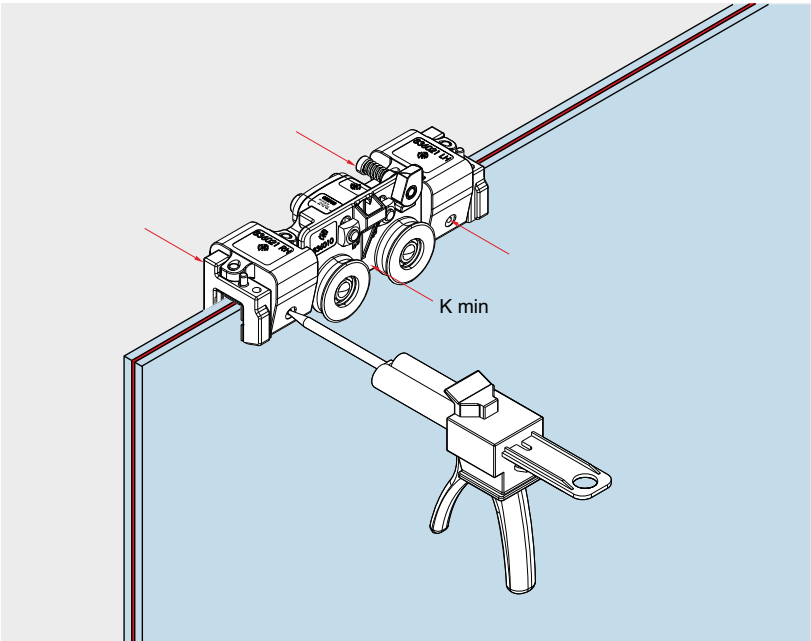
Anti-jump device – carriers: MUTO Comfort M, L, Premium XL, Self-Closing and Telescopic



Height adjustment – carriers: MUTO Comfort M, L, Premium XL, Self-Closing and Telescopic



Clamp&Glue technology

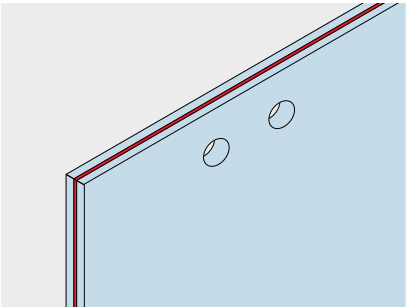


dormakaba Clamp&Glue technology provides the possibility to keep the advantages and – at the same time – to eliminate the potential issues of laminated safety glass. The solution for secure hold of the glass panel only needs a minimum of clamping force at the fittings, without any glass preparation.

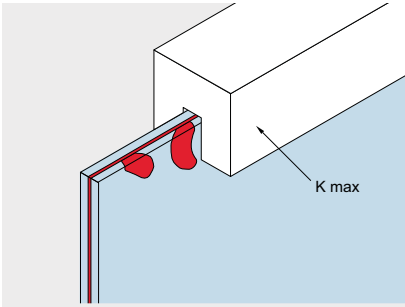
- Carrier sets readily convertible to LSG – make sure you specifically order LSG accessory sets
- High level of safety
- Easy installation
- Improved smoothness of operation
- Integration of sound protection laminate
- Decorative laminates
- Residual load-bearing capacity

MUTO: the following negative phenomena are eliminated with LSG

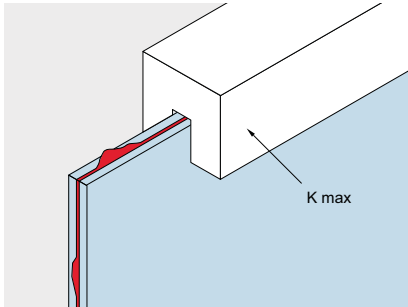
Glass preparation



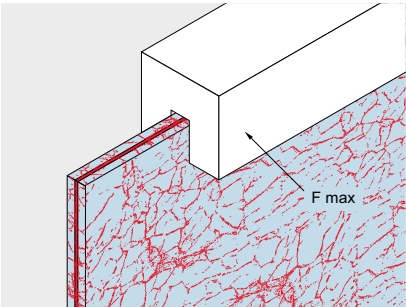
Blister



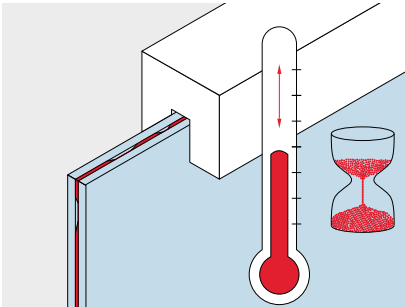
Extrusion of interlayer



Glass crack



Shrinkage of interlayer (due to temperature and pressure variation in long-term usage)

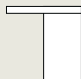
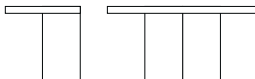
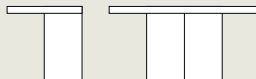


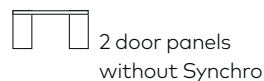
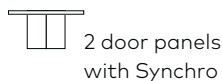
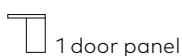
MUTO

Ideal for glass panels – also optional for timber panels

Much Comfort:

- Unpowered Self-Closing action
- Independently concealed locking with electromechanical lock (battery powered)
- Status indicator connecting with your facility management
- DORMOTION damping mechanism without glass preparation

	 MUTO Comfort M 60	 MUTO Comfort L 80	 MUTO Premium XL 80
Comfort	NEW		
Track dimensions: Track	W ≤ 55 mm H ≤ 58 mm	W ≤ 71 mm H ≤ 58 mm	W ≤ 72 mm H ≤ 69 mm
Track dimensions: Track incl. Side panel	W = 74 mm	W = 90 mm	W = 91 mm
Track dimensions: Track + Cover profile	W ≤ 55 mm H ≤ 58 mm	W ≤ 71 mm H ≤ 58 mm	W ≤ 72 mm H ≤ 69 mm
Basic description			
Max. gap to wall (glass door)	14 mm	17 mm	20 mm
Max. gap to wall (timber door, thickness ≤ 30mm)	7 mm	7 mm	7 mm
Glass thickness	8 – 12 mm	8 – 13.5 mm	8 – 13.5 mm
Installations	Wall, ceiling	Wall, ceiling, glass	Wall, ceiling, glass
Max. door height	≤ 2,500 mm	≤ 3,000 mm	≤ 3,000 mm
Max. door width	≤ 1,300 mm	≤ 1,500 mm**	≤ 1,500 mm**
Door height adjustment	+ 4 mm / – 2 mm	+ 5 mm / – 3 mm	+ / – 5 mm
Corrosion EN 1670	Class 2	Class 4	Class 4
Door cycles	≤ 50,000	≥ 100,000	≥ 200,000
DIN EN 1527	●	●	●
Max. door weight/single door	60 kg	80 kg	80 kg
Max. door weight/double door	–	2 x 80 kg	2 x 80 kg
Prepared for timber	●	●	●
Glass type	TSG / LSG*	TSG / LSG*	TSG / LSG*
Functionalities			
Adjustable from the front	●	●	●
DORMOTION	No glass preparation	No glass preparation	No glass preparation
Synchro version	–	○	○
Status indicator	–	○	○
Concealed EM locking	–	○ ²⁾	○ ²⁾
Self-Closing	–	–	–



● yes – no ○ optional

* LSG from 2 x TSG (min. 2 x 5 mm).

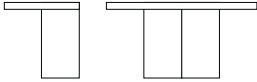
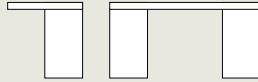
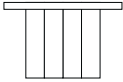
** Further glass panel widths are available, subject to consultation with our Application Engineering department. The glass dimensions may vary due to the method of fixing and installation, glass tolerances or general usage.


1) Max. travel 1,450 mm

2) In combination with Synchro not possible

Variants

- Self-Closing
 - Telescopic – wide openings with small panels
 - Synchro – moving both panels of a double door synchronously either toward each other (closing) or from each other (opening) when just one panel is moved by hand.
- Wall, glass and ceiling installations possible
 - For panels ≤ 60 kg up to 150 kg

 MUTO Premium XL 150	 MUTO Premium Self-Closing 120	 MUTO Premium Telescopic 80
W ≤ 72 mm H ≤ 69 mm	W ≤ 100 mm H ≤ 69 mm	W ≤ 124 mm H ≤ 69 mm
W = 91 mm	W = 119 mm	W = 146 mm
W ≤ 72 mm H ≤ 69 mm	W ≤ 100 mm H ≤ 69 mm	W ≤ 127 mm H ≤ 69 mm
20 mm	20 mm	17 mm / 52 mm
7 mm	7 mm	7 mm
8 – 13.5 mm	8 – 13.5 mm	8 – 13.5 mm
Wall, ceiling, glass	Wall, ceiling, glass	Wall, ceiling, glass
≤ 3,000 mm	≤ 3,000 mm	≤ 3,000 mm
≤ 1,500 mm**	≤ 1,500 mm ¹⁾	1,200 / 1,000 mm (2x/4x)
+ / - 5 mm	+ / - 5 mm	+ 5 mm / - 3 mm
Class 4	Class 4	Class 4
≥ 200,000	≥ 200,000	≥ 200,000
●	●	●
150 kg	120 kg	2 x 80 kg
2 x 150 kg	2 x 120 kg	4 x 80 kg
●	●	●
TSG / LSG*	TSG / LSG*	TSG / LSG*
●	●	●
No glass preparation	No glass preparation	No glass preparation
-	-	-
○	○	○
○	○	○
-	●	-

 2 door panels, Teleskopik

Further information on MUTO Premium Telescopic 80 can be found in the Compendium.

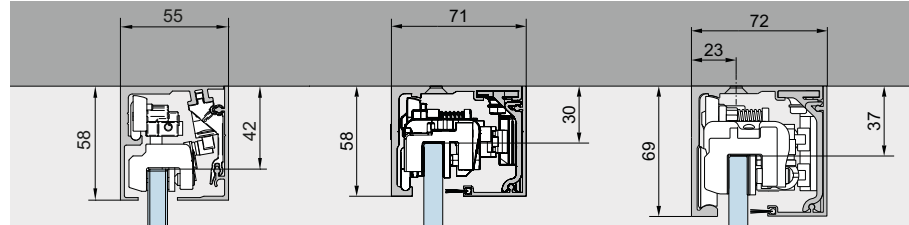
MUTO

Explanation of product names

Profile dimensions
M = 55 x 58 mm
Max. door weight
60 kg

Profile dimensions
L = 71 x 58 mm
Max. door weight
80 kg

Profile dimensions
XL = 72 x 69 mm
Max. door weight
80 kg



	NEW MUTO M 60	MUTO L 80	MUTO Premium XL 80
DORMOTION	Optional	Optional	Yes
max. Sliding panel weight	60 kg	80 kg	80 kg
Movement cycles	≥ 50,000	≥ 100,000	≥ 200,000
Glass thickness sliding panel	8 – 12 mm	8 – 13.5 mm	8 – 13.5 mm
Height adjustment	+ 4 mm / - 2 mm	+ 5 mm / - 3 mm	+/- 5 mm
Material thickness (Timber)	28 – 50 mm	28 – 50 mm	28 – 50 mm
max. Sliding panel height [GH][TH]	2,500 mm	3,000 mm	3,000 mm
Mounting type	Wall, ceiling	Wall, ceiling, glass	Wall, ceiling, glass
Single panel			
Clear opening width [LW] min. – max.	540 – 1,240 mm	600 – 1,440 mm	600 – 2,440 mm
Panel width [A]	LW + 60 mm	LW + 60 mm	LW + 60 mm
Panel width [A] min. – max. (incl. DORMOTION / with retrofittable lock/status indicator)	600 – 1,300 mm* no lock/ status indicator	660 – 1,500 mm (max. 2,000 mm*)	810 ¹⁾ – 1,500 mm (660 mm ohne DORMOTION) (max. 2.500 mm*)
Length of track wall/ceiling	2 x A	2 x A	2 x A
Length of track [B] at glass	–	2 x A + 67 mm	2 x A + 67 mm
Double panel			
Clear width [LW] min. – max.	–	1,266 – 2,446 mm	1,566 – 2,890 mm
Panel width [A]	–	LW / 2 + 27 mm	LW / 2 + 27 mm
Panel width [A] min. – max.	–	660 – 1,250 mm	810 – 1,470 mm
Length of track [B] wall/ceiling	–	4 x A – 44 mm	4 x A – 44 mm
Length of track [B] at glass	–	4 x A + 12 mm	4 x A + 12 mm

¹⁾ After consultation: lower panel dimensions incl. DORMOTION are possible.

Profile dimensions

XL = 72 x 69 mm

Max. door weight

150 kg

Profile dimensions

Self-Closing = 100 x 69 mm

Max. door weight

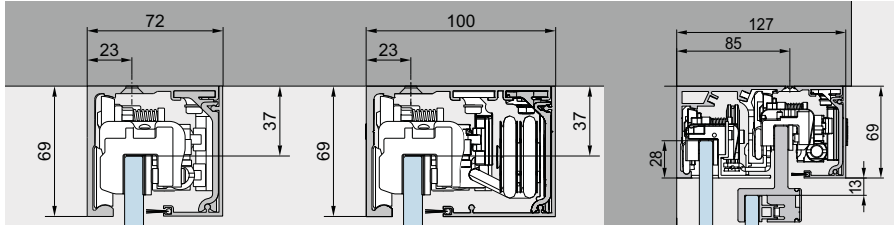
120 kg

Profile dimensions

M = 127 x 69

Max. door weight

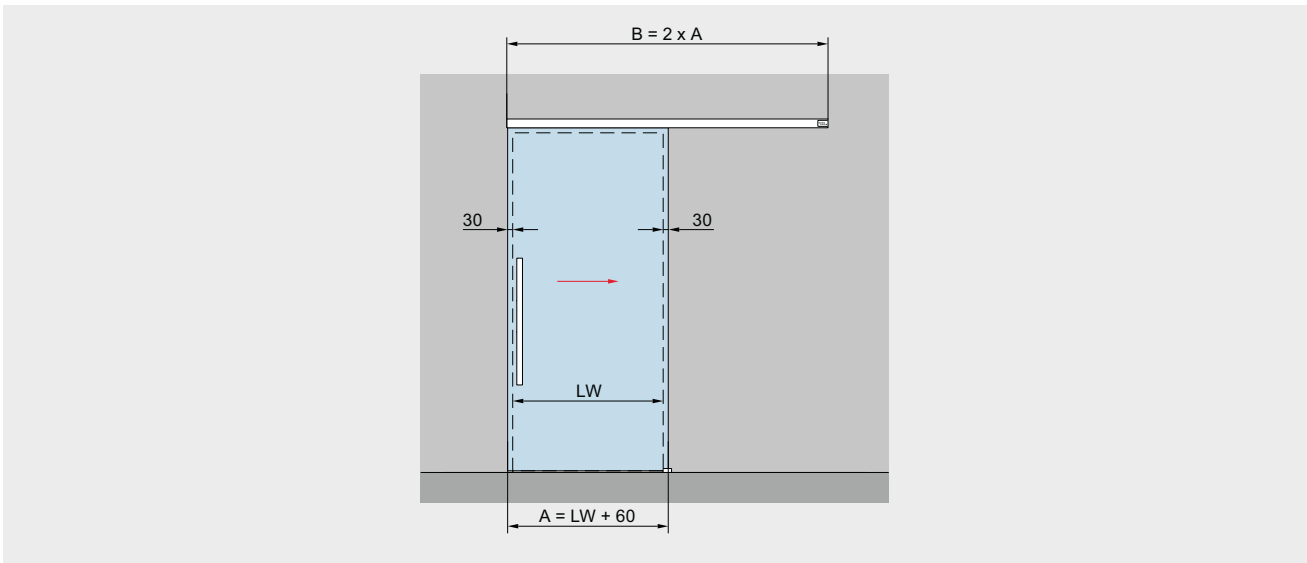
2 x 80 Kg

**Art. No.** 8.36. xxx **xxx** .99Alu Silver **150**Alu Niro Dark **157**Alu White **350**Alu Special anodised **199**Alu Special colour **399**

MUTO Premium XL 150	MUTO Premium Self-Closing 120	MUTO Premium Telescopic 80
Yes	Yes	Optional
150 kg	120 kg	2 x 80 kg
≥ 200,000	≥ 200,000	≥ 200,000
8 – 13.5 mm	8 – 13.5 mm	8 – 13.5 mm
+/- 5 mm	+/- 5 mm	+ 5 mm / - 3 mm
28 – 50 mm	28 – 50 mm	28 – 50 mm
3,000 mm	3,000 mm	3,000 mm
Wall, ceiling, glass	Wall, ceiling, glass	Wall, ceiling, glass
600 – 2,440 mm	790 – 1,440 mm	see page 86
LW + 60 mm	LW + 60 mm	see from page 90 onwards
1.020 ¹⁾ – 1.500 mm (660 mm ohne DORMOTION) (max. 2.500 mm*)	-	see page 84
2 x A	2 x A	see from page 90 onwards
2 x A + 67 mm	2 x A + 67 mm	see from page 90 onwards
1,986 – 2,890 mm	1,606 – 2,890 mm	see page 90
LW / 2 + 27 mm	LW / 2 + 27 mm	see from page 90 onwards
1,020 – 1,470 mm	830 – 1,470 mm	see page 90
4 x A – 44 mm	4 x A – 44 mm	see from page 92 onwards
4 x A + 12 mm	4 x A + 12 mm	see from page 95 onwards

* Further glass panel widths are available, subject to consultation with our Application Engineering department. The glass dimensions may vary due to the method of fixing and installation, glass tolerances or general usage.

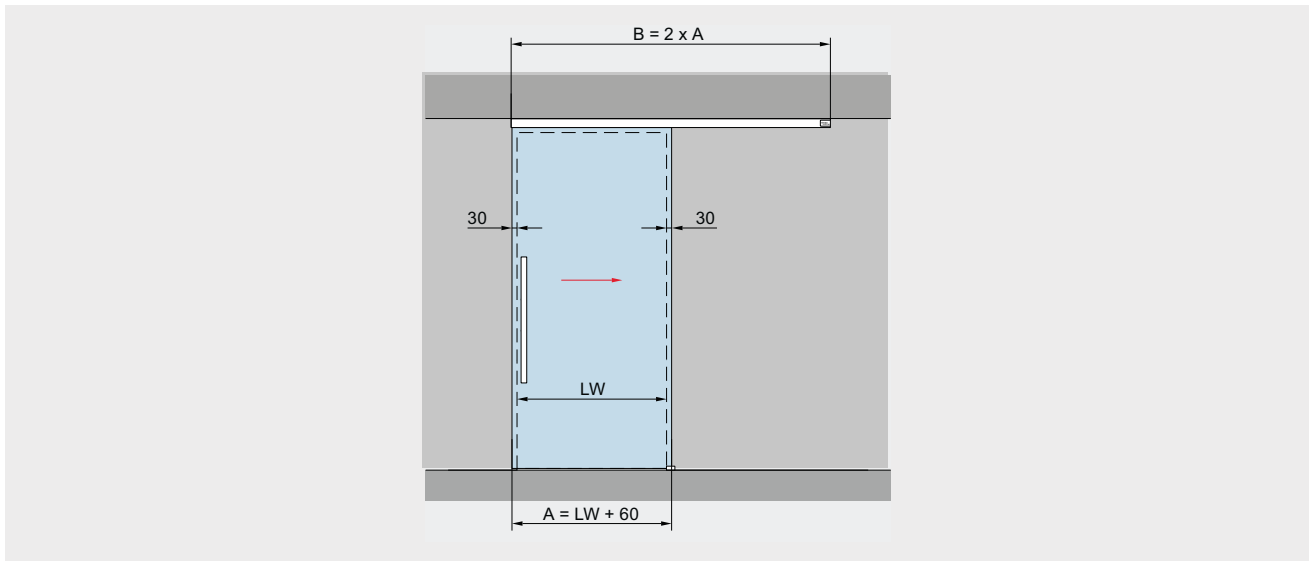
Type illustrations wall installation



Fixed at wall	Product description	Glass thickness
	<p>For installation with one door panel</p> <p>Max. weight of door panels 60 kg</p> <p>Calculation of glass height GH1 = LH + X + 6 mm max. 2,500 mm</p> <p>Calculation of glass width A = LW + 60 mm min. 600 mm (after consultation: min. 400 mm possible) max. 1,300 mm min. 600 mm with DORMOTION (after consultation: min. 550 mm possible) max. 1,300 mm</p>	<p>8 – 12 mm</p>

- A = Glass width
- B = Length of track
- GH1 = Glass height sliding door
- LH = Clear opening height
- LW = Clear opening width
- t1 = Glass thickness sliding door
- Y = 55 mm - (14 mm + t1)
- X = Freely selectable protrusion (depending on structural conditions)

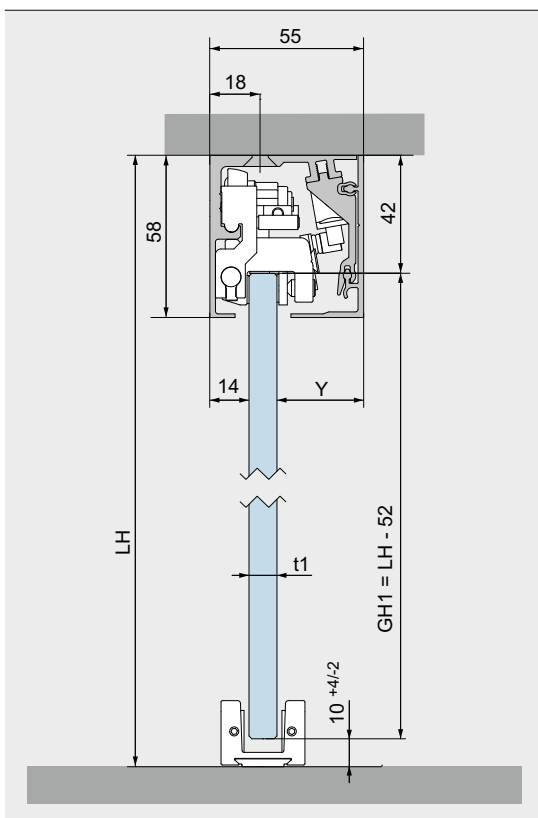
Type illustrations ceiling installation



Fixed at ceiling

Product description

Glass thickness



For installation with one door panel

8 – 12 mm

Max. weight of door panels

60 kg

Calculation of glass height

$GH1 = H - 52 \text{ mm}$
max. 2,500 mm

Calculation of glass width

$A = LW + 60 \text{ mm}$
min. 600 mm

(after consultation: min. 400 mm possible)
max. 1,300 mm

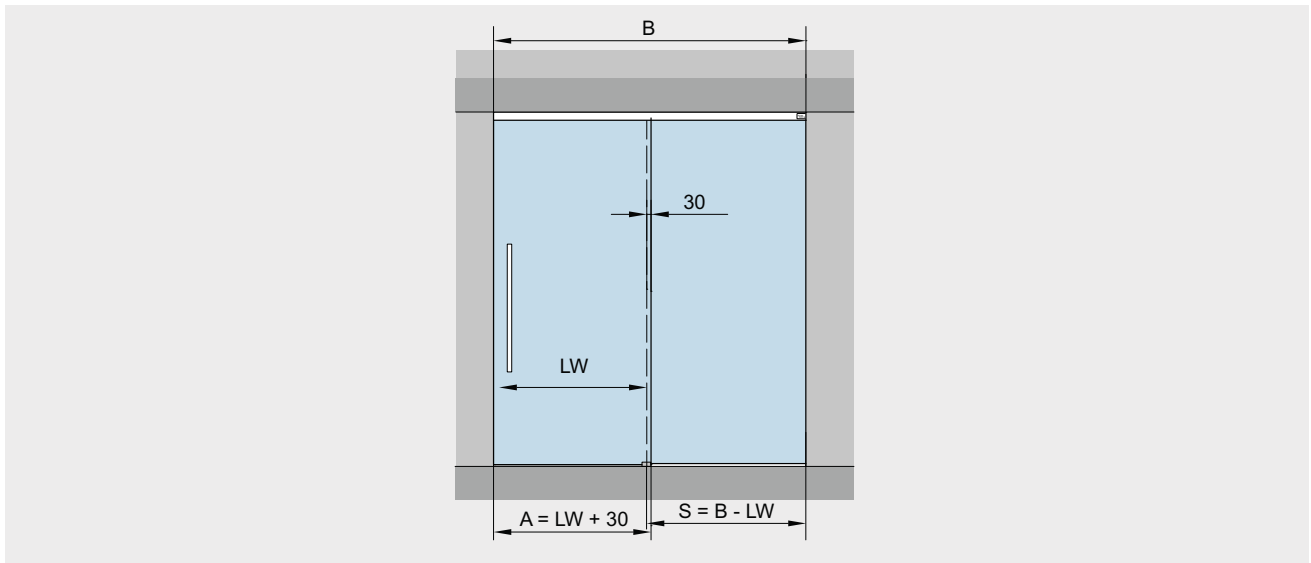
min. 600 mm with DORMOTION

(after consultation: min. 550 mm possible)
max. 1,300 mm with DORMOTION

A = Glass width
B = Length of track
GH1 = Glass height sliding door
LH = Clear opening height

LW = Clear opening width
t1 = Glass thickness sliding door
Y = $55 \text{ mm} - (14 \text{ mm} + t1)$

Type illustrations with side panel, on one side

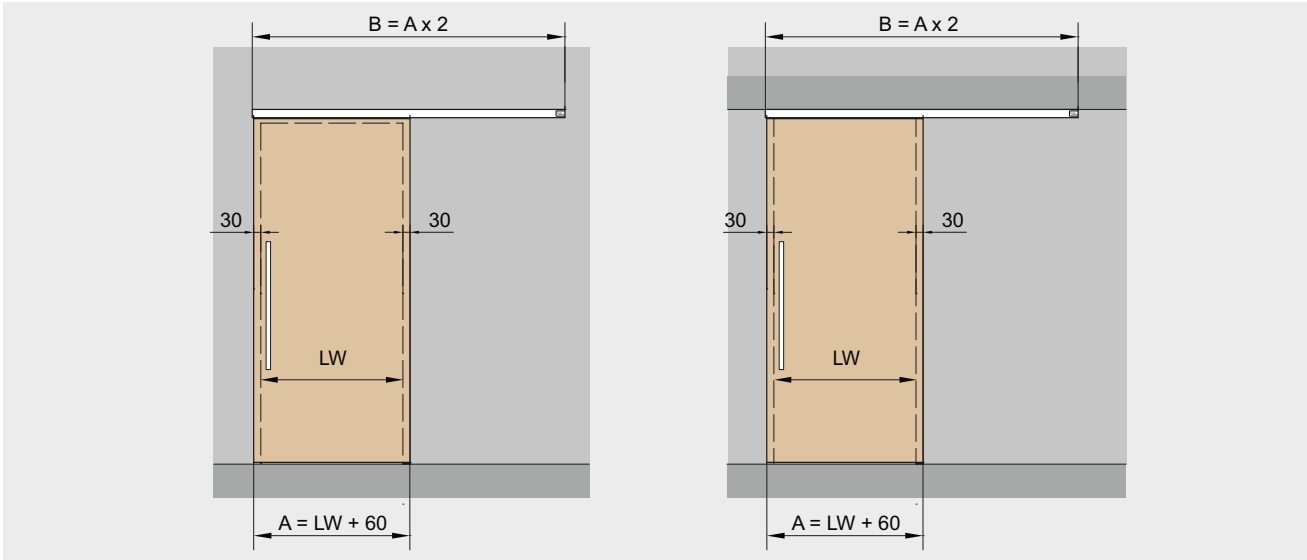


Fixed at ceiling	Product description	Glass thickness
	<p>For installation with one door panel</p> <p>Max. weight of door panels 60 kg</p> <p>Calculation of glass height GH1 = LH - 52 GH2 = LH - 51 max. 2,500 mm</p> <p>Calculation of glass width A = LW + 30 mm min. 600 mm (after consultation: min. 400 mm possible) max. 1,300 mm min. 600 mm with DORMOTION (after consultation: min. 550 mm possible) max. 1,300 mm</p>	8 – 12 mm

- A = Glass width
- B = Length of track
- GH1 = Glass height sliding door
- GH2 = Glass height sidelight
- LH = Clear opening height
- LW = Clear opening width

- S = Glass width sidelight
- t1 = Glass thickness sliding door
- t2 = Glass thickness sidelight
- Y = 55 mm - (14 mm + t1)

Type illustrations for timber door applications



Fixed at wall	Fixed at ceiling	Product description	Wood thickness
		<p>For installation with one door panel</p> <p>Max. weight of door panels 60 kg</p> <p>Calculation of door height fixed at wall $TH = LH + X - 17$ max. 2,500 mm</p> <p>Calculation of door height fixed at ceiling $TH = LH - 75$ max. 2,500 mm</p> <p>Calculation of door width $A = LW + 60$ mm min. 600 mm (after consultation: min. 400 mm possible) max. 1,300 mm min. 600 mm with DORMOTION (after consultation: min. 550 mm possible) max. 1,300 mm</p>	28 – 50 mm
<p>* Timber door 100 mm solid wood for connection at timber adapter</p>			

A = Timber door width
 B = Length of track
 LH = Clear opening height
 LW = Clear opening width

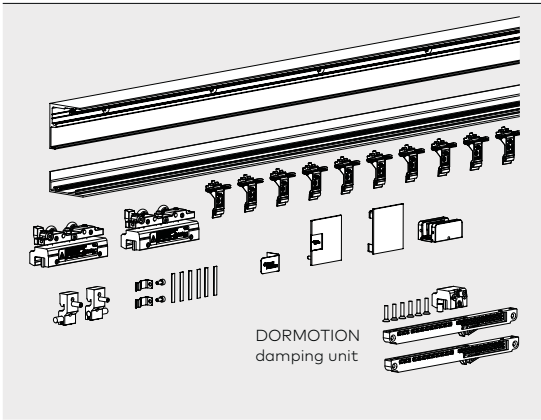
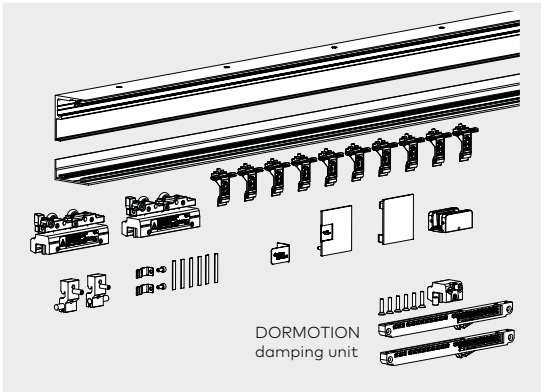
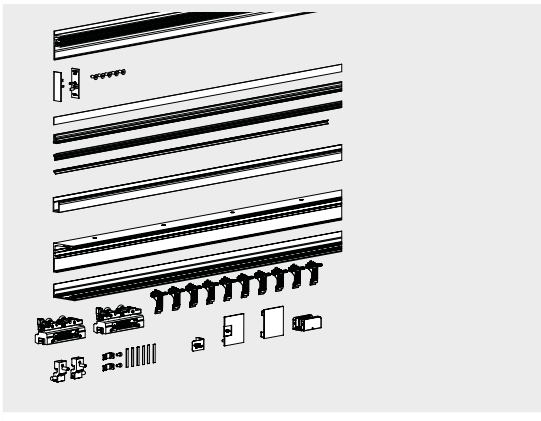
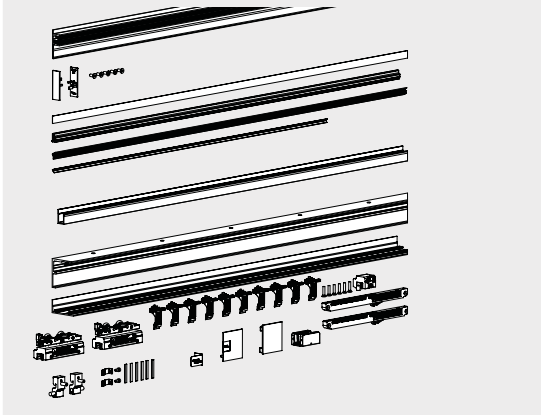
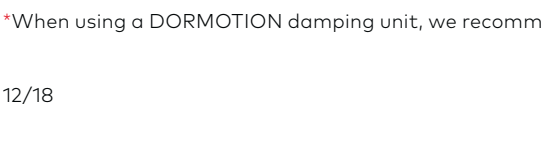
TH = Door height
 U = Wood thickness
 X = Freely selectable protrusion (depending on structural conditions)

Complete sets - defined lengths

	Product description	Panel width	Profile length	Glass thickness	Art. No.
	MUTO Comfort M 60 Set prepared for DORMOTION wall installation incl. track profile, cover profile, accessory set, end caps	950 1,200	1,900 2,400	8 – 12 mm 8 – 12 mm	36.670 36.671
	MUTO Comfort M 60 Set incl. DORMOTION* wall installation incl. track profile, cover profile, accessory set, end caps	950 1,200	1,900 2,400	8 – 12 mm 8 – 12 mm	36.676 36.677
	max. 60 kg DORMOTION damping unit				
	MUTO Comfort M 60 Set prepared for DORMOTION ceiling installation incl. track profile, cover profile, accessory set, end caps	950 1,200	1,900 2,400	8 – 12 mm 8 – 12 mm	36.672 36.673
	MUTO Comfort M 60 Set incl. DORMOTION* ceiling installation incl. track profile, cover profile, accessory set, end caps	950 1,200	1,900 2,400	8 – 12 mm 8 – 12 mm	36.678 36.679
	max. 60 kg DORMOTION damping unit				

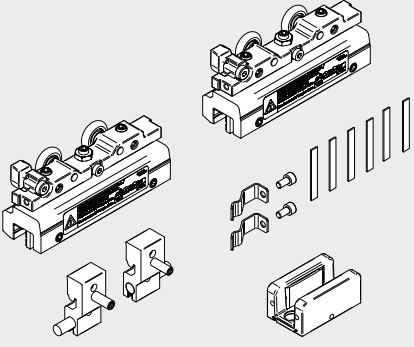
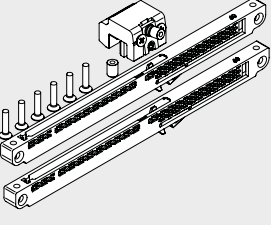
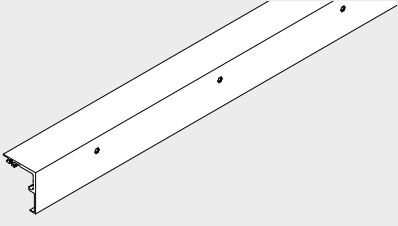
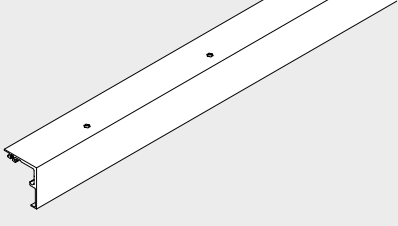
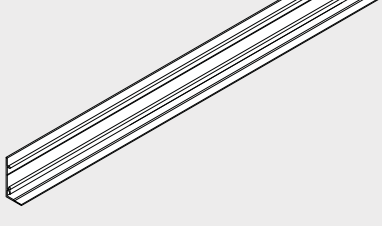
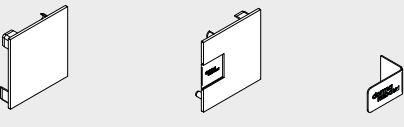
*When using a DORMOTION damping unit, we recommend installation of a pull handle.

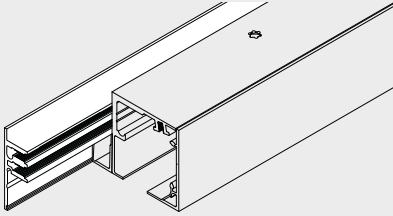
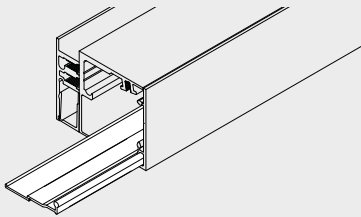
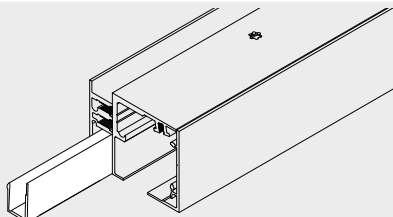
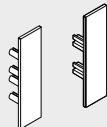
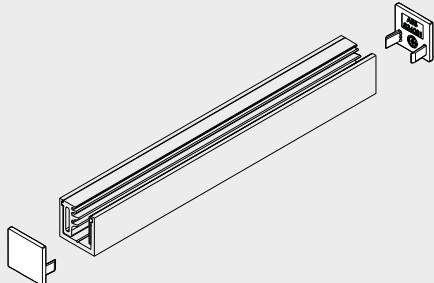
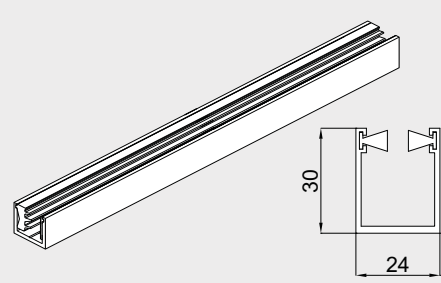
Complete sets - individual lengths

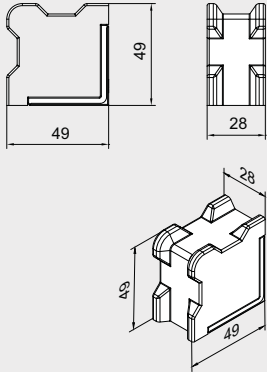
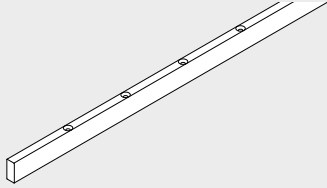
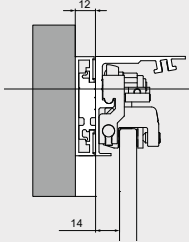
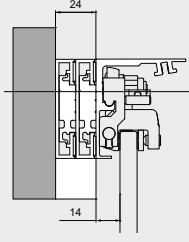
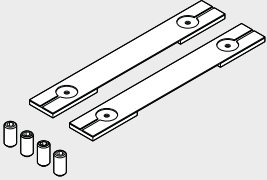
	Product description	Glass thickness	Art. No.
	MUTO Comfort M 60 Set prepared for DORMOTION <i>wall installation</i> individual profile length up to max. 5,940 mm incl. track profile, cover profile, accessory set, end cap	8 – 12 mm	36.674
	MUTO Comfort M 60 Set incl. DORMOTION* <i>wall installation</i> individual profile length up to max. 5,940 mm incl. track profile, cover profile, accessory set, end cap max. 60 kg	8 – 12 mm	36.680
	MUTO Comfort M 60 Set prepared for DORMOTION <i>ceiling installation</i> individual profile length up to max. 5,940 mm incl. track profile, cover profile, accessory set, end cap	8 – 12 mm	36.675
	MUTO Comfort M 60 Set incl. DORMOTION* <i>wall installation</i> individual profile length up to max. 5,940 mm incl. track profile, cover profile, accessory set, end cap max. 60 kg	8 – 12 mm	36.681
	MUTO Comfort M 60 Set prepared for DORMOTION <i>ceiling installation with sidelight</i> individual profile length up to max. 5,940 mm incl. track profile, cover and sidelight profile, filling profile, accessory set, end cap, view protection profile must be ordered separately max. 60 kg	8 – 12 mm	36.682
	MUTO Comfort M 60 Set incl. DORMOTION* <i>ceiling installation with sidelight</i> individual profile length up to max. 5,940 mm incl. track profile, cover and sidelight profile, filling profile, accessory set, end cap, view protection profile must be ordered separately max. 60 kg	8 – 12 mm	36.683

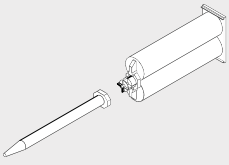
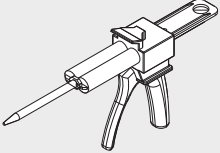
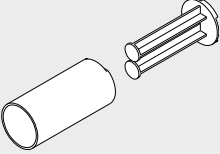
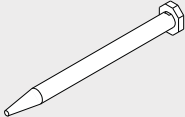
*When using a DORMOTION damping unit, we recommend installation of a pull handle.

Component parts

	Product description	Art. No.
	<p>Accessory set Consisting of: 2 Clamp carriers 2 Endstops 1 Floor guide</p>	<p>36.691</p>
	<p>DORMOTION unit Panel width min. 600 mm (after consultation min. 550 mm possible) for max. 60 kg, incl. starter</p> <p>When using a DORMOTION damping unit, we recommend installation of a pull handle.</p>	<p>36.693 Optional</p>
	<p>Track rail wall installation</p> <p>stock length 6,000 mm fixed length</p>	<p>36.684 36.687</p>
	<p>Track rail ceiling installation</p> <p>stock length 6,000 mm fixed length</p>	<p>36.685 36.688</p>
	<p>Cover profile</p> <p>stock length 6,000 mm fixed length</p>	<p>36.686 36.696</p>
	<p>MUTO Comfort M 60 Set endcaps for wall and ceiling installation</p>	<p>36.692</p>

	Product description	Art. No.
	<p>MUTO Comfort M 60 + L 80 Side light profile 58 mm height, with gaskets, for 8 – 13.5 mm glass When installing between two walls, please give particular atten- tion to the width of the end covers (each 2 mm). stock length 6,000 mm fixed length</p>	<p>36.271 36.274</p>
	<p>MUTO M 60 View protection profile for sidelight profiles stock length 6,000 mm fixed length</p>	<p>36.694 36.695</p>
	<p>MUTO Filling profile for Comfort M, L, Premium XL and Self-Closing, for side light profile stock length 6,000 mm fixed length</p>	<p>36.802 36.803</p>
	<p>MUTO Comfort M 60 + L 80 End caps for side light profile, 58 mm height each 2 mm width (When installing between two walls, please give particular attention to it.)</p>	<p>36.273</p>
	<p>MUTO End caps (2 pieces) for Comfort M + L and Premium XL, for floor profile, for fixing side light</p>	<p>36.812</p>
	<p>MUTO Floor profile for Comfort L and Premium XL, for fixing side light, with gaskets, incl. end caps stock length 6,000 mm fixed length</p>	<p>8 – 13.5 mm 36.810 36.811</p>

	Product description	Art. No.
	<p>MUTO Comfort Floorstop for Comfort M, L and Premium XL, for glass- oder timber side light</p>	<p>36.851</p>
	<p>MUTO Comfort M 60 Timber adapter profile 10 x 23 mm, incl. accessories (with timber floor guide) 1,310 mm fixed length</p>	<p>36.941</p>
	<p>MUTO Comfort - balance profile set 12 mm, for installation over an existing door frame; compensates for the frame thickness; fixed length</p>	<p>36.872</p>
	<p>MUTO Comfort - balance profile set 24 mm, for installation over an existing door frame; compensates for the frame thickness; fixed length</p>	<p>36.873</p>
	<p>MUTO Comfort M 60 LSG set Accessory set for use with LSG for one pair of clamp carrier</p> <p>Consisting of: 2 Gaskets 4 Injector screw</p> <p>Please order the LSG glue 07.631 separately</p>	<p>36.939</p>

	Product description	Art. No.
	Special adhesive for use with LSG The contents of the cartridge are sufficient for 10 clamp carriers (varies if the nozzle contents have dried out!) If necessary, order additional spare nozzles (art. no. 07630).	07.631
	Automix gun for LSG Use in combination with article 07.631	07.629
	Automix adapter for LSG Use in combination with article 07.631	07.628
	Spare nozzle for LSG Use in combination with article 07.631	07.630